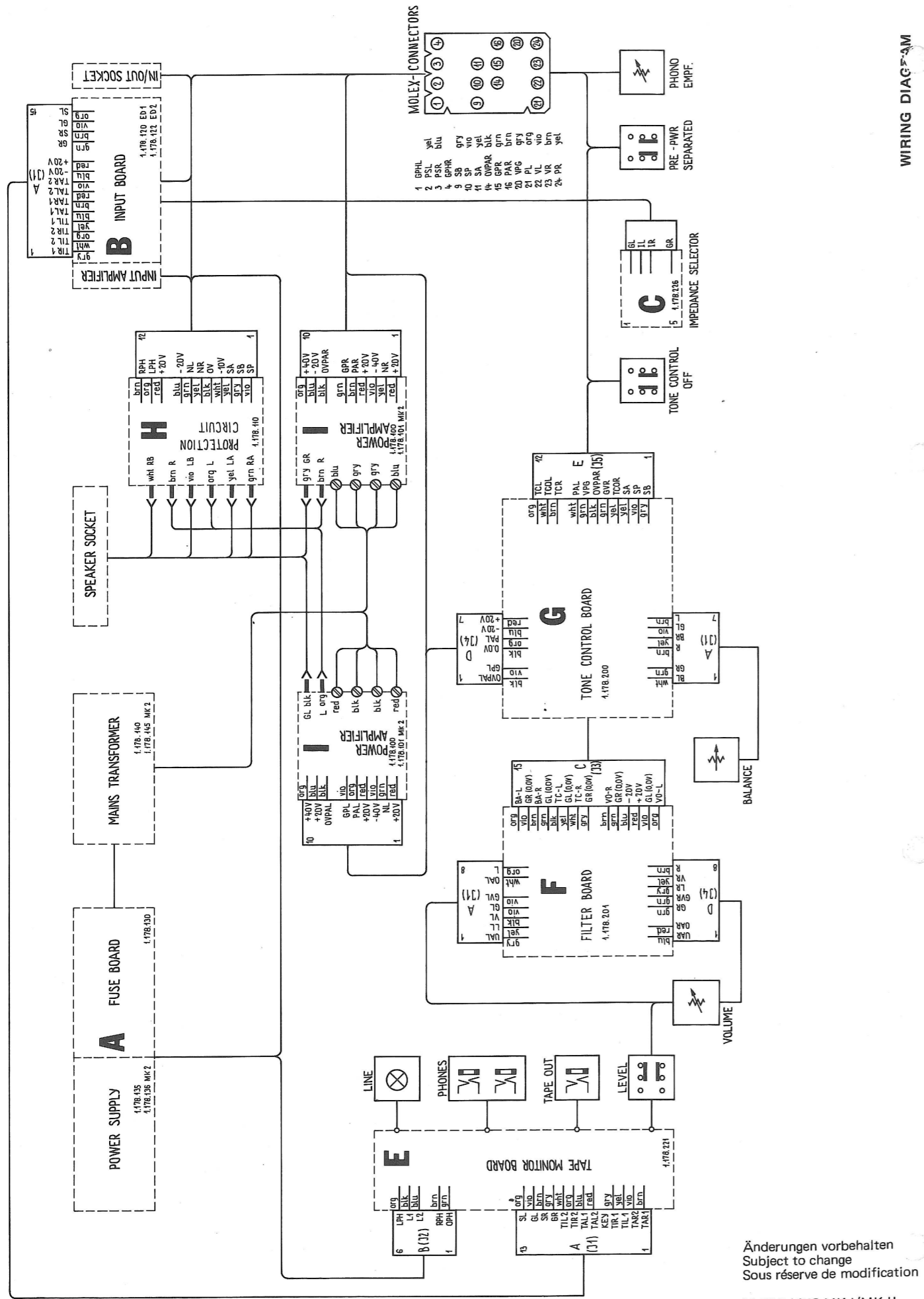


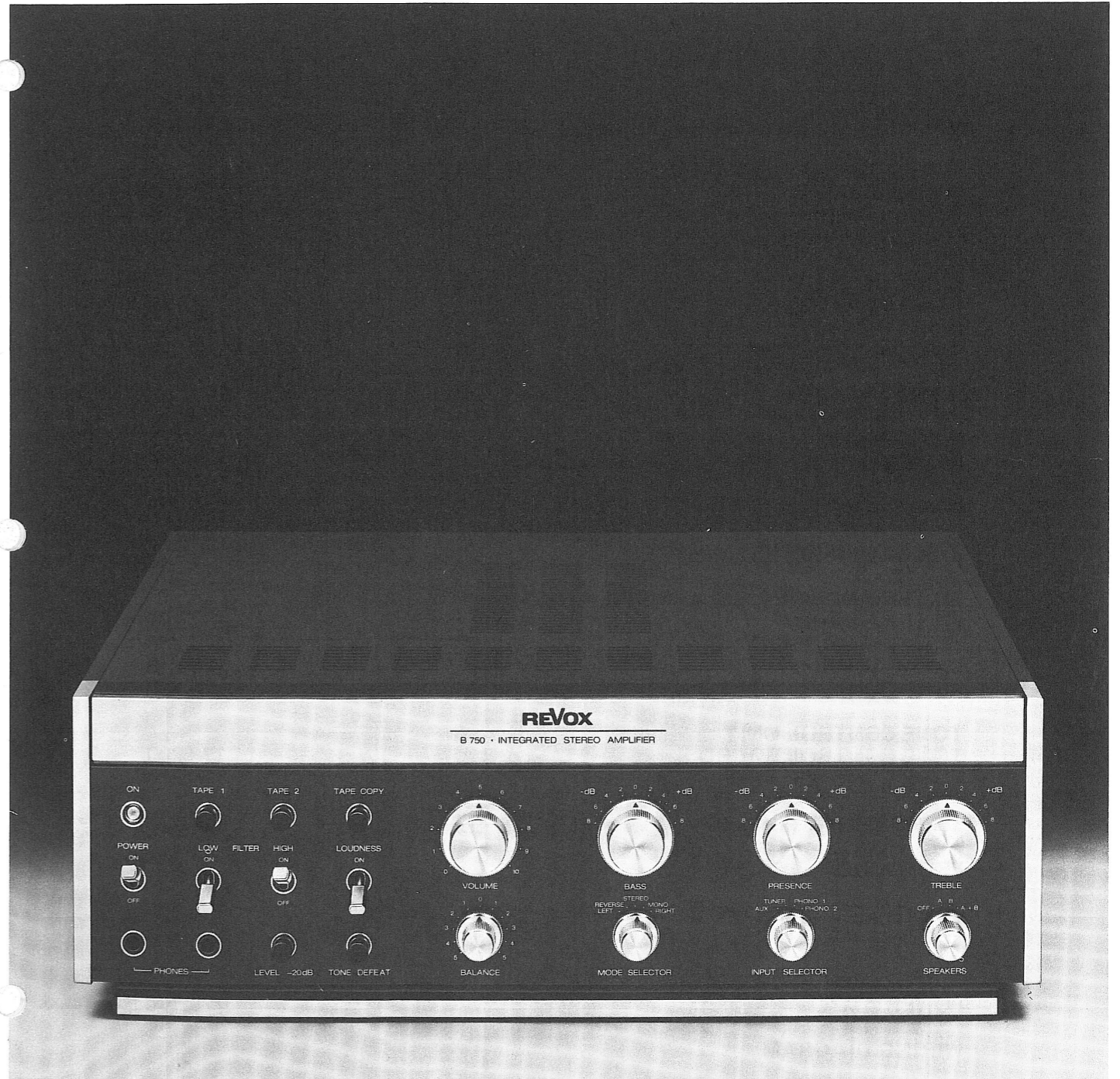
B750

SCHALTUNGSSAMMLUNG SET OF SCHEMATICS
RECUEIL DE SCHÉMAS



Änderungen vorbehalten
Subject to change
Sous réserve de modification

18.223.1078 MK I/MK II
Printed in Switzerland
Copyright by Willi Studer
CH-8105 Regensdorf-Zurich



DIAGRAMS LIST

POWER SUPPLY UNIT MK I
 POWER SUPPLY
 FUSE BOARD
 MAINS TRANSFORMER

A
 1.178.135
 1.178.130
 1.178.140

POWER SUPPLY UNIT MK II
 POWER SUPPLY
 FUSE BOARD
 MAINS TRANSFORMER

A
 1.178.136
 1.178.130
 1.178.145

INPUT UNIT ED1
 INPUT AMPLIFIER
 INPUT BOARD
 IMPEDANCE BOARD

B
 1.178.115
 1.178.120
 1.178.226

INPUT UNIT ED2
 INPUT AMPLIFIER
 INPUT BOARD
 IMPEDANCE BOARD

B
 1.178.117
 1.178.122
 1.178.226

PHONO AMPLIFIER

D 1.178.125

B750 BLOCK DIAGRAM ED1/ED2

FILTER AND BALANCE AMPLIFIER UNIT
 FILTER BOARD
 FILTER AMPLIFIER
 BALANCE AMPLIFIER
 TONE CONTROL BOARD

F
 1.178.201
 1.178.206
 1.178.210
 1.178.200

TONE CONTROL UNIT
 TONE CONTROL BOARD
 TONE CONTROL AMPLIFIER

G
 1.178.200
 1.178.216

TAPE MONITOR BOARD

E 1.178.221

PROTECTION CIRCUIT

H 1.178.110

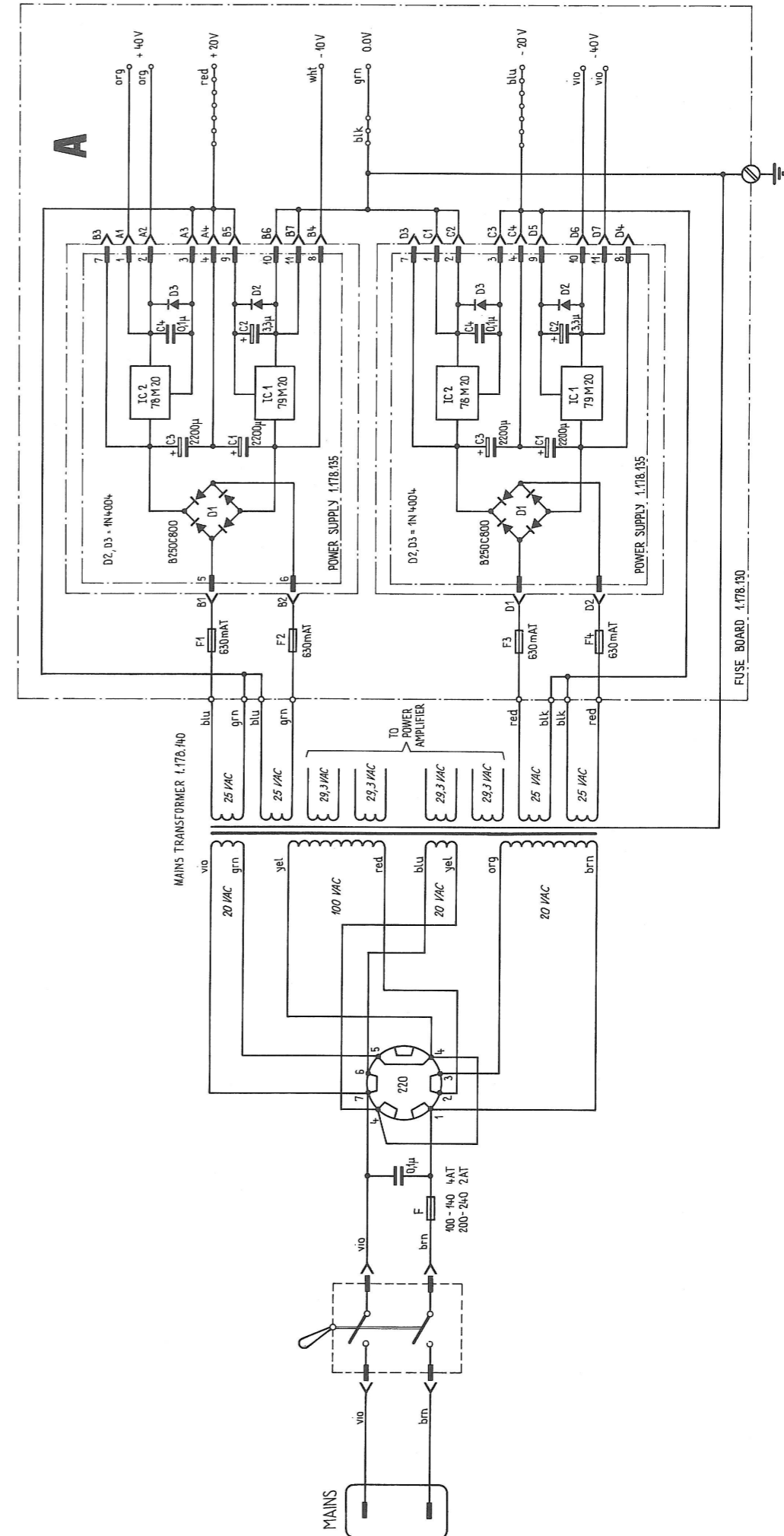
POWER AMPLIFIER UNIT MK I
 POWER AMPLIFIER MK I

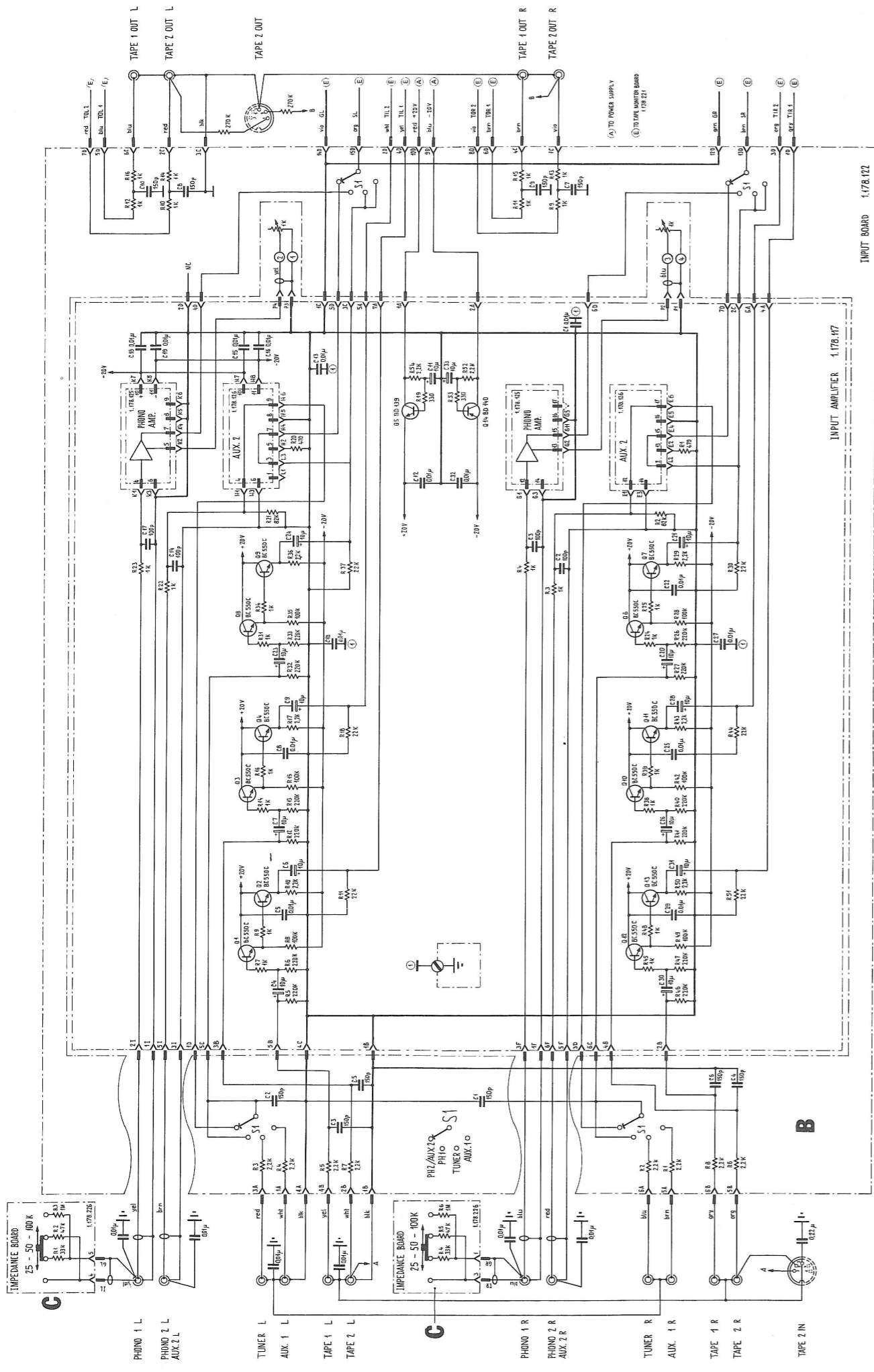
I 1.178.100
 1.178.105

POWER AMPLIFIER UNIT MK II
 POWER AMPLIFIER MK II

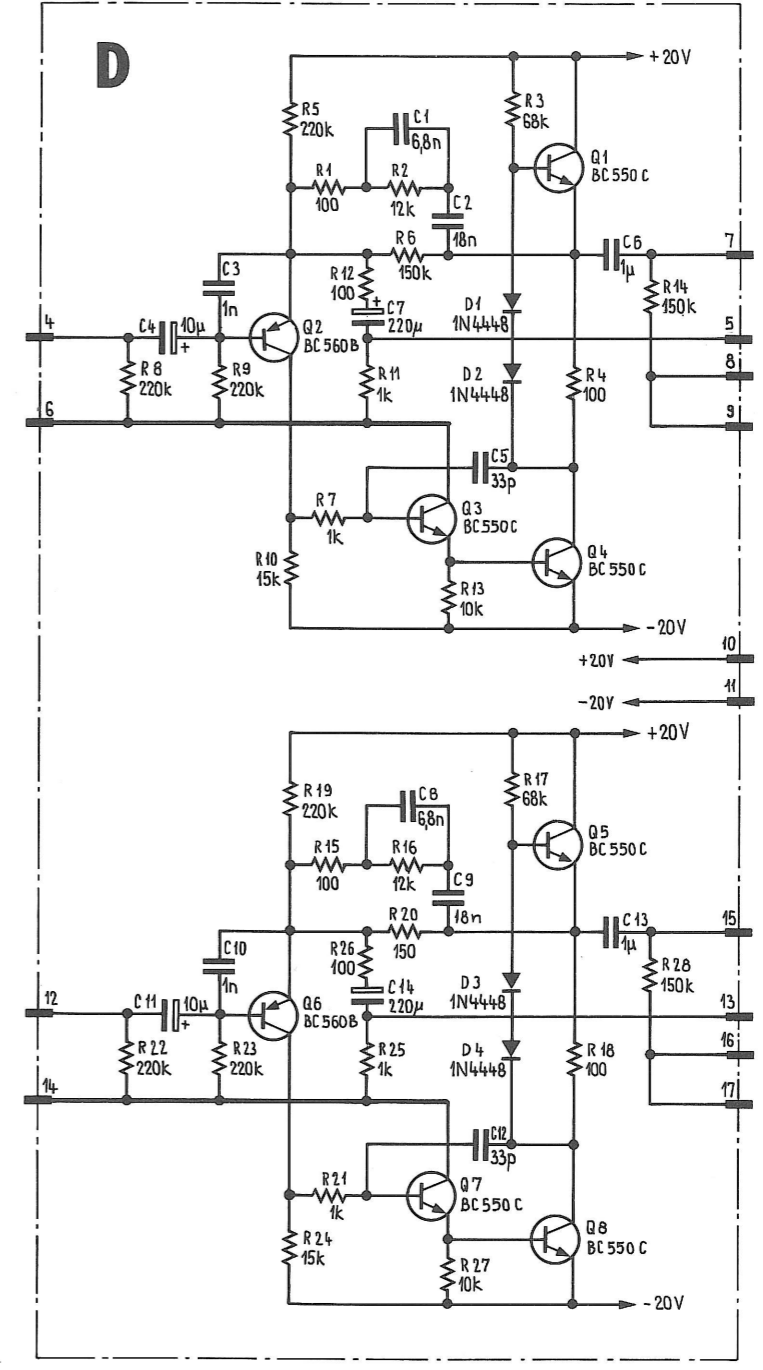
I 1.178.101
 1.178.106

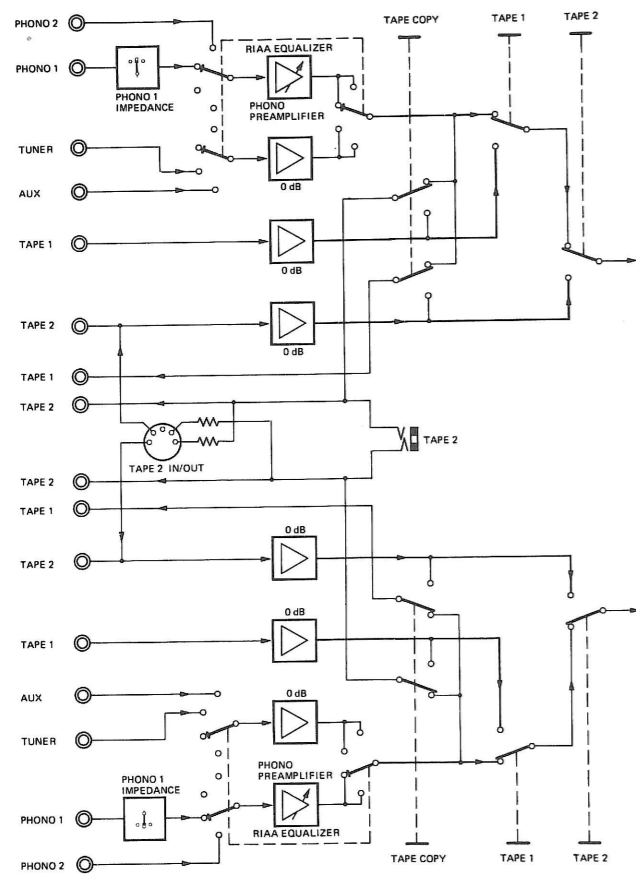
WIRING DIAGRAM



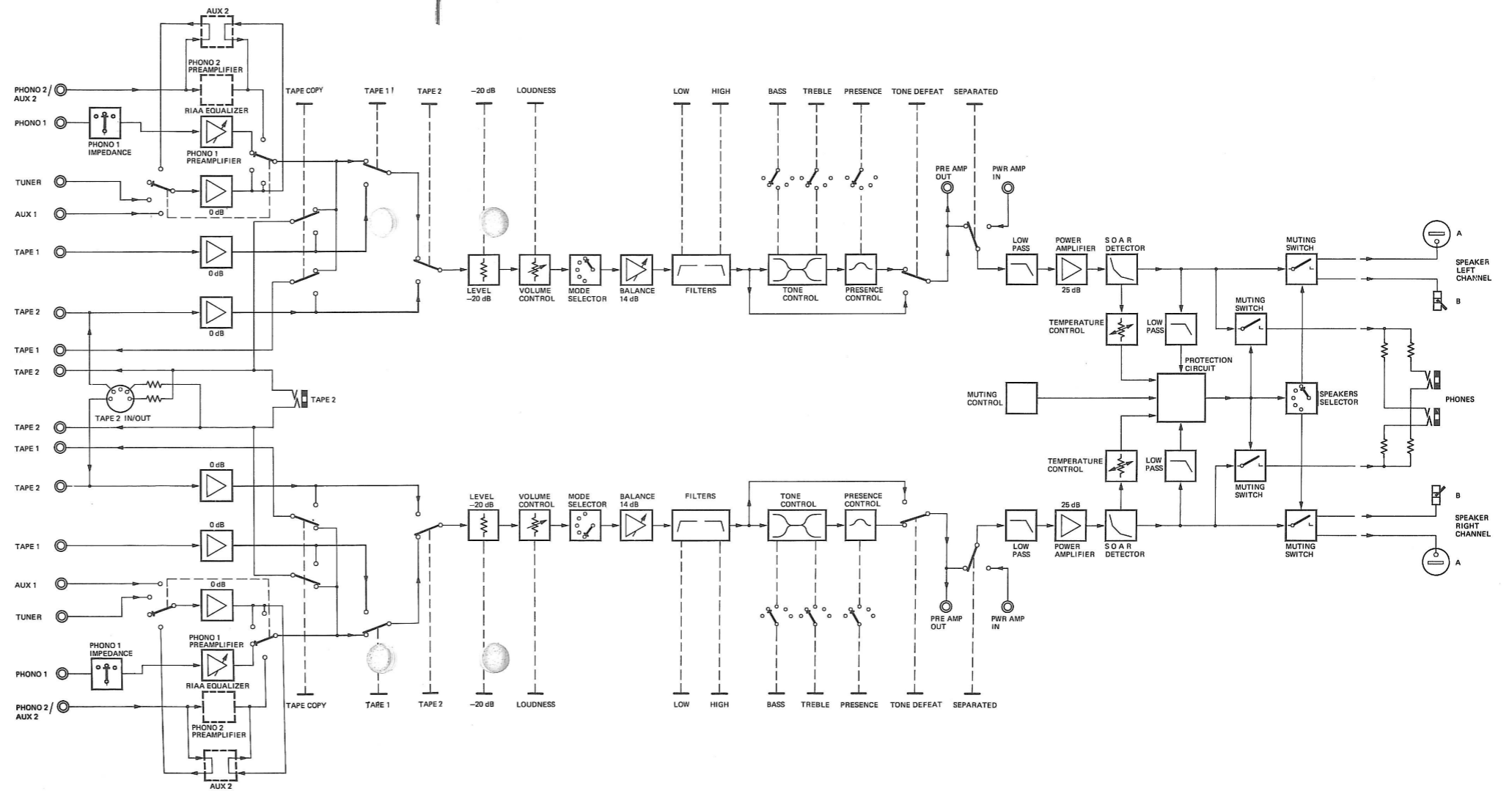


INPUT UNIT 1.178.12



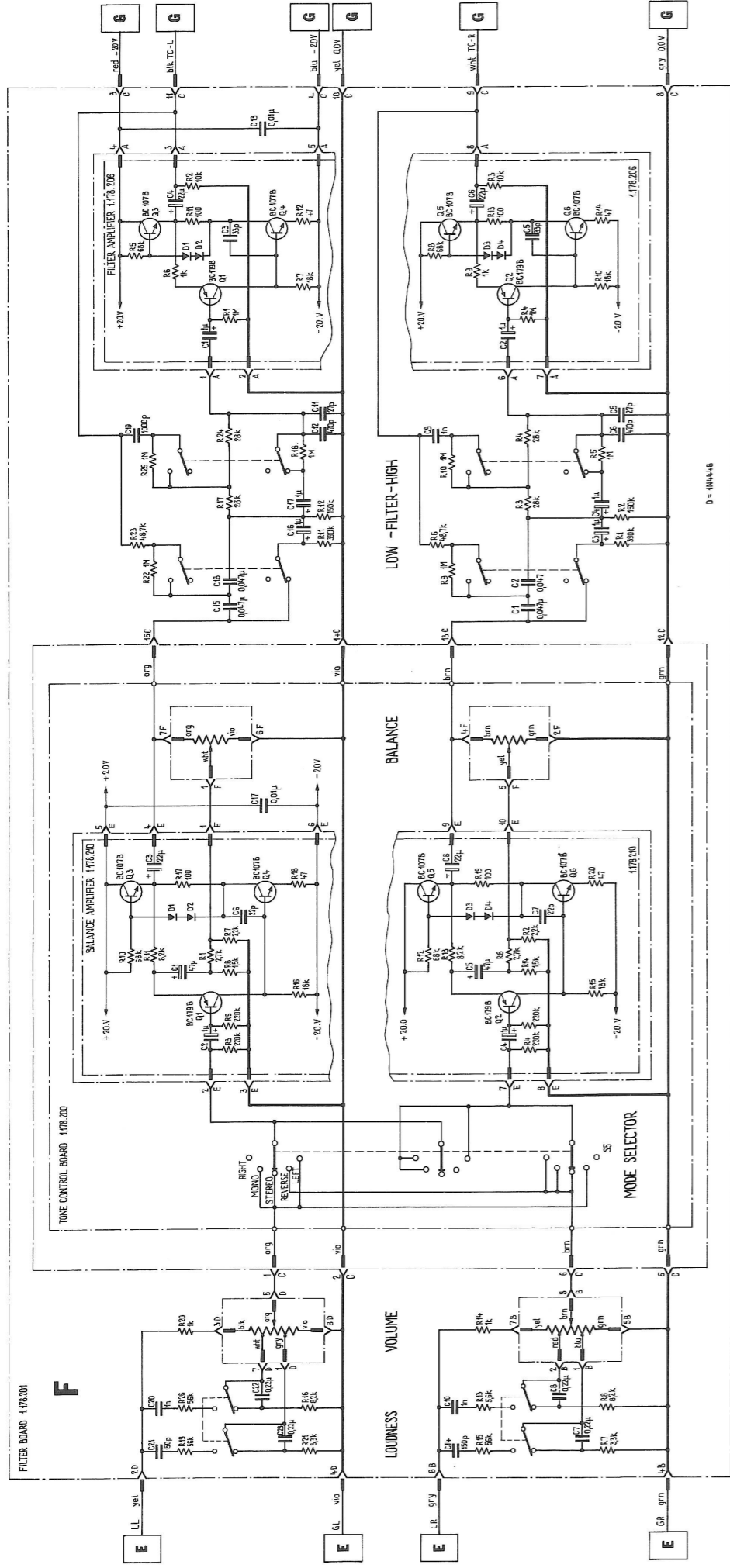


ED 1

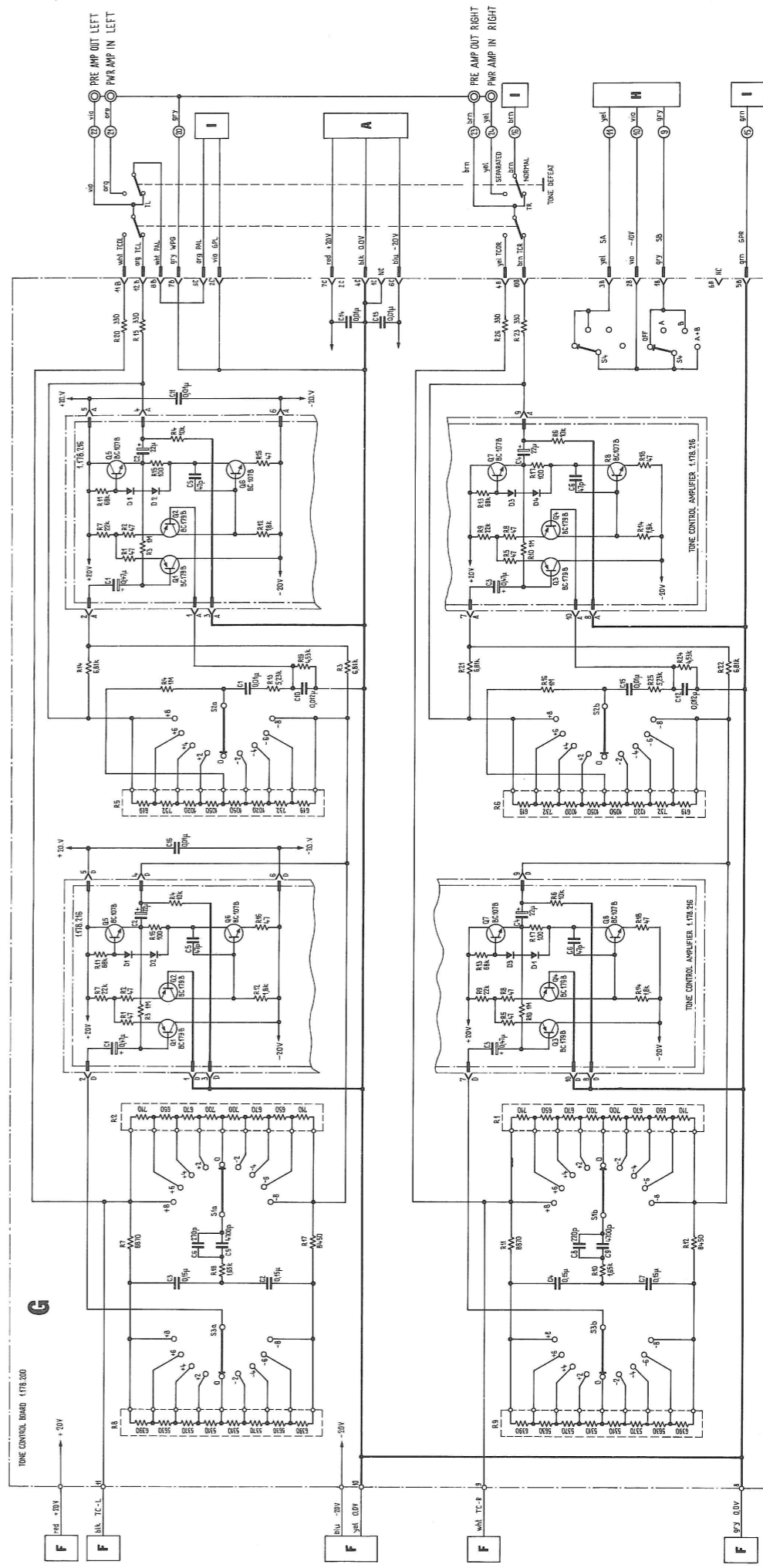


ED 2

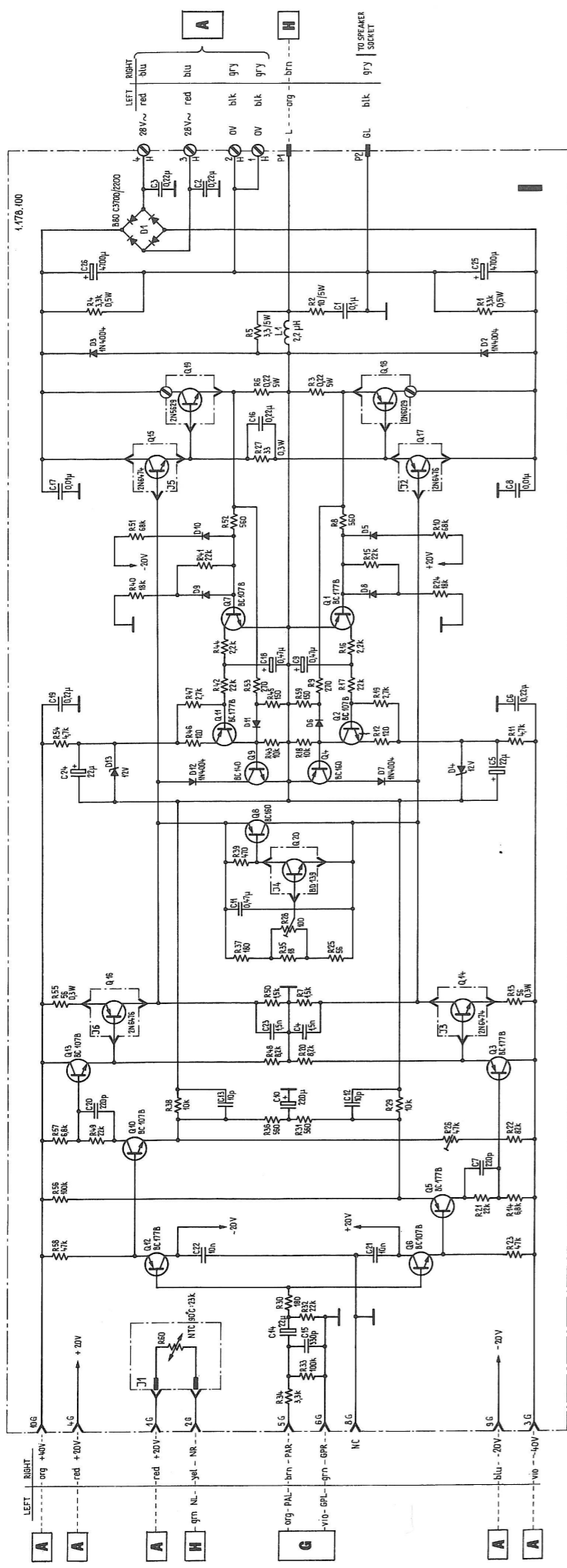
B 750 BLOCK DIAGRAM



FILTER AND BALANCE AMPLIFIER

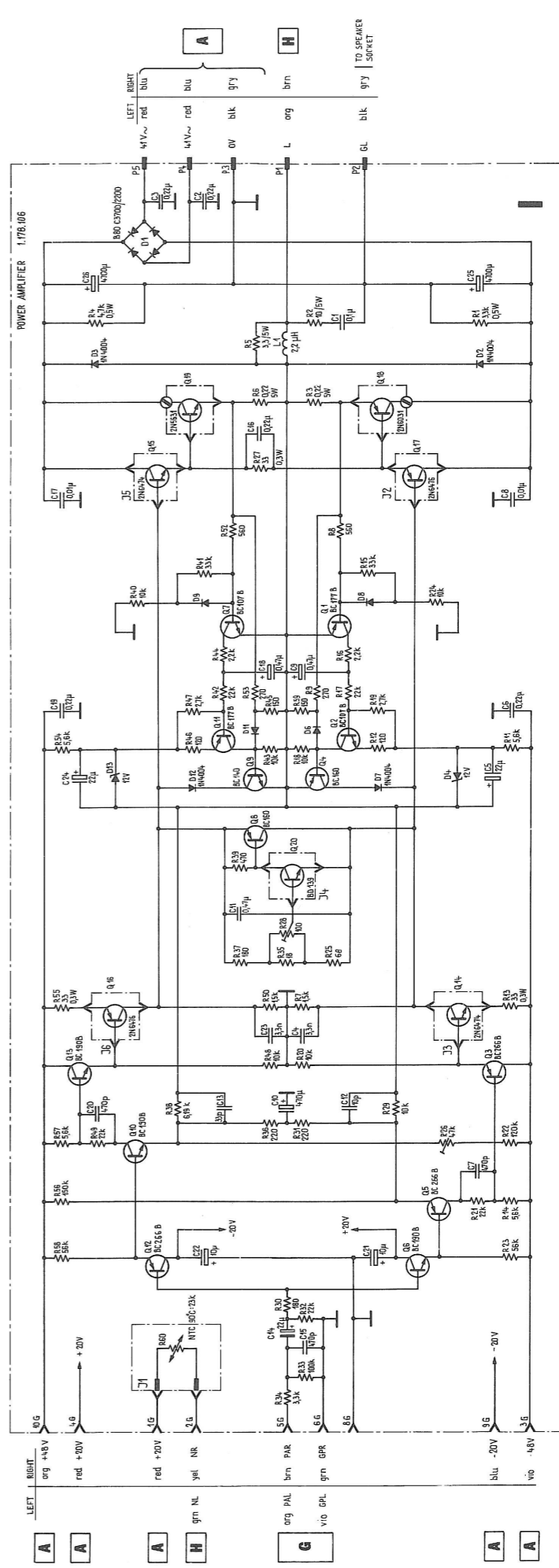


TONE CONTROL UNIT



POWER AMPLIFIER UNIT MK I

1.178.100



POWER AMPLIFIER UNIT MK II

1.178.101